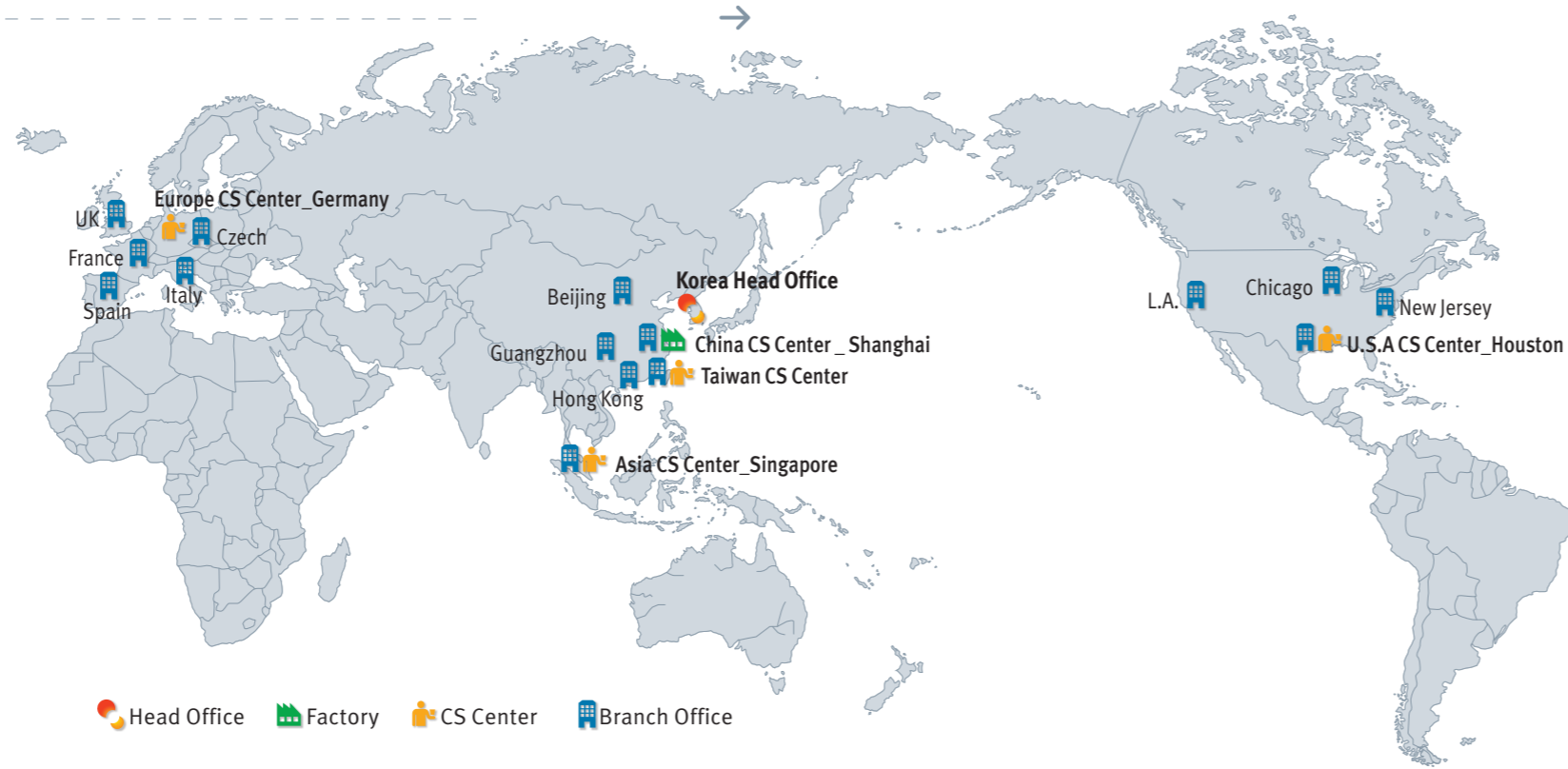


→ Prime Choice for Digital Imaging



: World Wide Network



In 11 nations around the world, VATECH & E-WOO is now receiving praise from customers as a world's No.1 digital Radiography & CT. We will continue to provide differentiated value to our customers, thereby spreading VATECH & E-WOO's love across the globe

- **Head Office** | Republic of Korea
- Factory** | China Shanghai, Republic of Korea Hwaseong, Republic of Korea Yongin
- CS Center** | Europe_Germany / Asia_Singapore, Taiwan / North America_Houston
- Branch Office** | Europe_UK, France, Spain, Czech, Italy / Asia_China Beijing, China Shanghai, Guangzhou, Hong Kong, Taiwan, Singapore / North America_L.A., Chicago, New Jersey, Houston
- Dealers** | Europe_Belgium, Bulgaria, Croatia, Cyprus, France, Germany, Greece, Hungary, Italy, Netherlands, Poland, Portugal, Romania, Russia, Slovenia, Spain, Switzerland, Sweden, Ukraine / Asia_Bangladesh, Hong Kong, India, Japan, Nepal, Pakistan, Philippines, Sri Lanka, Thailand, Turkey, Vietnam / South America_Argentina, Bolivia, Brazil, Chile, Colombia, Nicaragua, Paraguay, Peru, Venezuela / North America_Canada, Mexico / Oceania_Australia / Africa_Egypt, Morocco, Libya, South Africa / Middle East_Iran, Iraq, Jordan, Kuwait, Lebanon, Saudi Arabia, Syria, Qatar, U.A.E, Yemen, Israel

473-4, Bora-Dong, Giheung-Gu, Yongin-Si, Gyeonggi-Do, 446-904, Republic of Korea
Sales@vatech.co.kr http://www.vatech.co.kr



: PaX-Primo

Prime Choice for Digital Imaging

PaX-Primo Digital Panoramic X-ray System

We care for our customers
We care for the patients
We care for our partners
With insight, *Caring Insight*



World's Best Dental Imaging Company

VATECH & E-WOO, the digital imaging world leader announces all new CI. Based on cutting-edge technologies and comprehensive quality control, love and devotion from the fundamentals of medical and dental are added in to express sincere caring and empirical insight.

The VATECH & E-WOO's philosophy is embedded in the TRI-circle of light; the three circles represent passion, specialty and, innovation respectively. They are the three pillars of how we conduct our business.

CARING INSIGHT VATECH

PaX-Primo _ Prime Choice for Digital Imaging



Value added technology

KEY FEATURES

- Simple & Compact Design
- Versatile LCD Touch Panel
- Superb Panoramic Image
- AMPT Technology in Intelligent Mode

Intelligent Mode

Under any circumstance!
 The quality of panoramic image is heavily influenced by the position of the patient. With PaX-Primo, you can obtain good image quality regardless of the patient's position and size of the dental arch. For a diagnosis requiring the best image quality, select intelligent mode. The mode provides the advanced VATECH's technology, AMPT.

Leap forward to Superb Digital Dentistry!

Simple & Compact Design

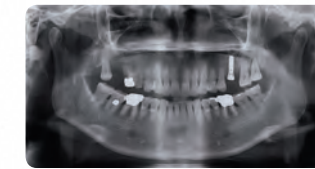
PaX-Primo is small and compact in size and design. It's designed to fit in the standard X-ray room. No additional space is required.

Versatile LCD Touch Panel



The 10.4 inches wide LCD touch panel enables to operate PaX-Primo right next to the patient. In addition, you can detach it to use outside of the X-ray room. Patient positioning, capturing mode selection and storage of images are possible through the LCD touch panel.

Superb Panoramic Image



With the newest CMOS pano sensor, you can obtain the best panoramic image in about 9 seconds.



Value Added Pano

AMPT (Adaptive layer Mode Panoramic Tomography)

AMPT technology can select the optimized image automatically. PaX-Primo with AMPT always acquires the optimum images without concerning mal-positioning and untypical patient arch. Even if it cannot be used for the diagnosis, AMPT can be revised automatically.

Comparison of images with incorrect patient positioning (AMPT)



Incorrect positioning

AMPT Solution

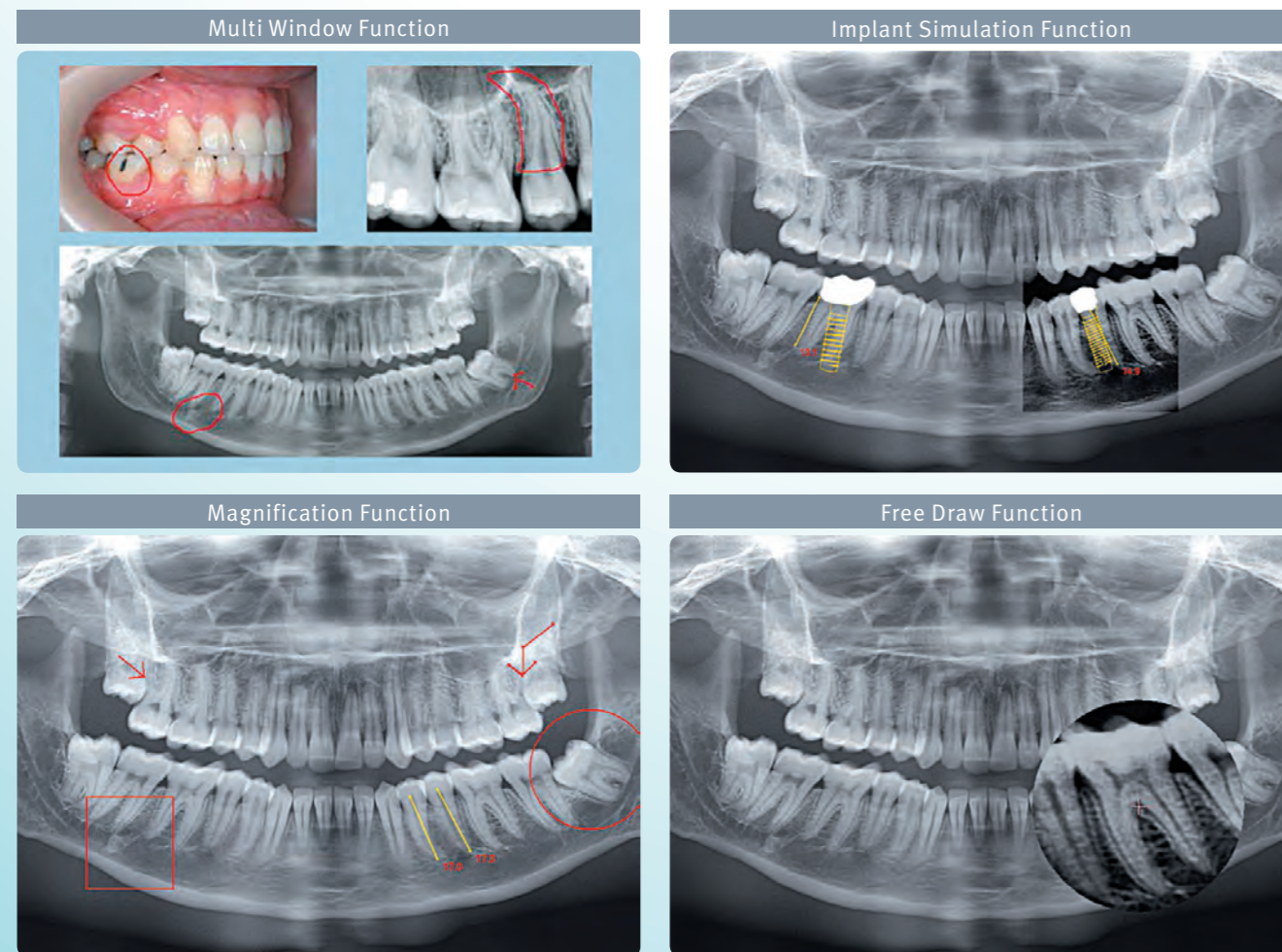
Incorrect positioning

AMPT Solution

Integrated Program for Diagnosis and Communication with Patient - EzDent 4.0

EzDent

"EzDent" is easy to learn and convenient to use. It is a communication and patient database tool. In addition, all kinds of image formats are supported (bmp, jpg, tif, dcm, etc). This program can easily be connected with other softwares such as clinical management software.



CARING INSIGHT _ VATECH

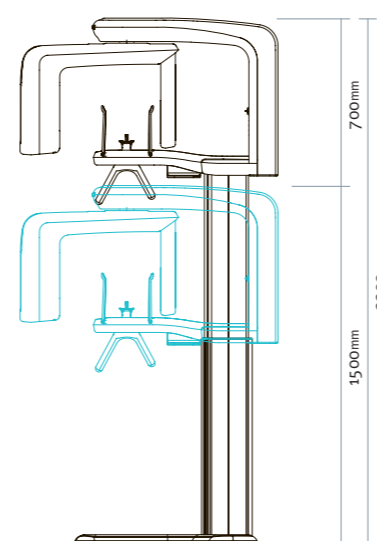
PaX-Primo _ Dimensions

PaX-Primo_ Pano

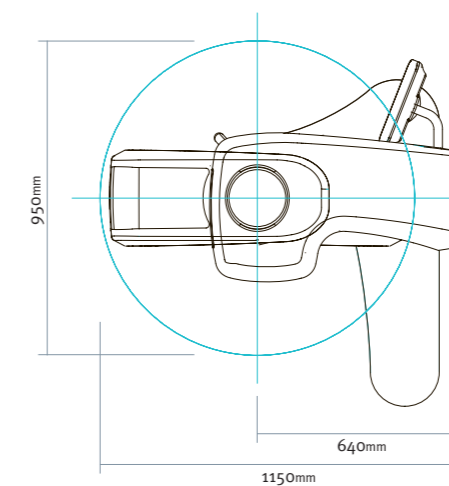
View



Front View



Top View



Specification

PaX-Primo	
Function	Pano
Exposure Time	TMJ : 3sec Normal : 9.7sec High Resolution : 13.5sec
Dimension (WxDxH mm)	1115x1150x2200
Weight	75kg
Generator	Voltage : 50-80kVp Current : 2-10mA
Focal Spot	0.5mm
Patient Position	Standing/ Wheel-chair accessible
FDD(SID)	531.2mm
Generator	Continuous type
Gray Scale	14bit
Sensor Type	CMOS
Pixel pitch	100µm

Panoramic Programs

- Standard Panoramic Program
- Normal / Narrow / Wide program
- High resolution program
- Child program

TMJ Programs

- Lateral / PA TMJ program
- 3 angles TMJ program (i)

Sinus Programs

- Lateral / PA sinus program
- 3 angles sinus program (i)

Special Programs

- Horizontal / Vertical segment programs
- Bitewing
- Orthogonal
- Cross-section (i)

(i) stands for the intelligent mode with AMPT technology